

**PLEASE CHECK WWW.MOLEX.COM FOR LATEST PART INFORMATION**

**Part Number:** [0476341002](#)  
**Status:** **Active**  
**Overview:** [slimline serial ata odd connectors](#)  
**Description:** 1.00mm (.039") Pitch Crimp Terminal for Slimline Serial ATA Power Cable Receptacle, 0.38µm (15µ") Gold (Au) Plating, Lead free

**Documents:**

[Drawing \(PDF\)](#) [RoHS Certificate of Compliance \(PDF\)](#)  
[Product Specification PS-47634-001 \(PDF\)](#)

**Agency Certification**

CSA LR 19980  
 UL E29179

**General**

Product Family Crimp Terminals  
 Series [47634](#)  
 Crimp Quality Equipment Yes  
 Overview [slimline serial ata odd connectors](#)  
 Product Name Serial ATA, Slimline Serial ATA

**Physical**

Durability (mating cycles max) 50  
 Flammability 94V-0  
 Gender Female  
 Material - Metal Phosphor Bronze  
 Material - Plating Mating Gold  
 Material - Plating Termination Tin  
 Packaging Type Reel  
 Plating min: Mating (µin) 15  
 Plating min: Mating (µm) 0.38  
 Plating min: Termination (µin) 73.82  
 Plating min: Termination (µm) 1.85  
 Termination Interface: Style Crimp or Compression  
 Wire Insulation Diameter 2.20-1.60mm(0.087-0.063)  
 Wire Size AWG 18, 20, 22, 24  
 Wire Size mm² 3.79-2.00

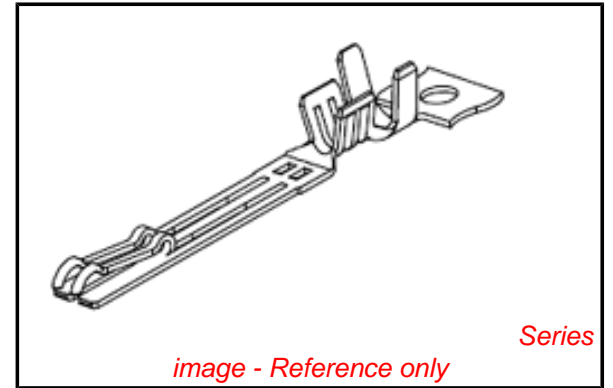
**Electrical**

Current - Maximum per Contact 1.5A  
 Voltage - Maximum 15V DC

**Material Info**

**Reference - Drawing Numbers**

Product Specification PS-47634-001  
 Sales Drawing SD-47634-001



**EU RoHS**

**ELV and RoHS Compliant**  
**REACH SVHC Contains SVHC: No**  
**Halogen-Free Status**

**China RoHS**



**Need more information on product environmental compliance?**

Email [productcompliance@molex.com](mailto:productcompliance@molex.com)  
 For a multiple part number RoHS Certificate of Compliance, [click here](#)

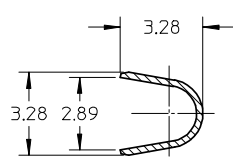
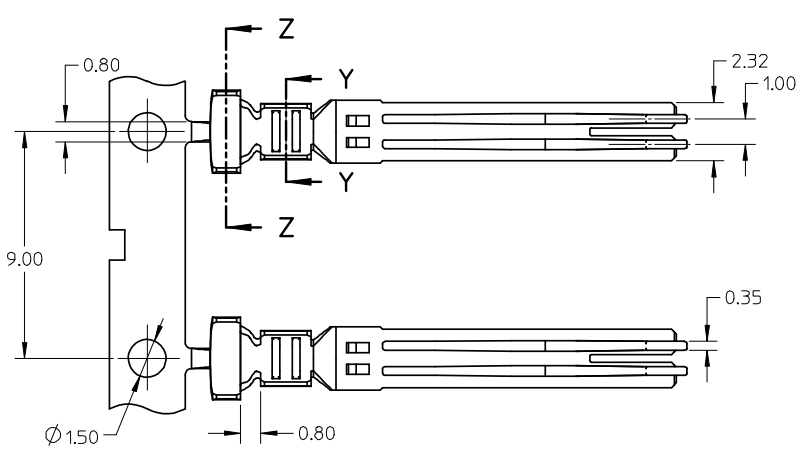
Please visit the [Contact Us](#) section for any non-product compliance questions.

**Search Parts in this Series**

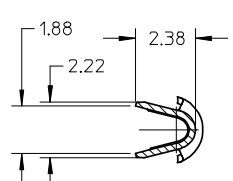
[47634Series](#)

**Use With**

[476342000 Housing](#)



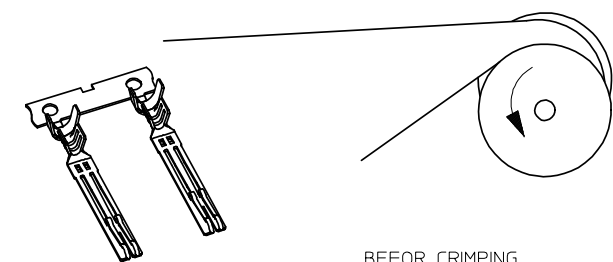
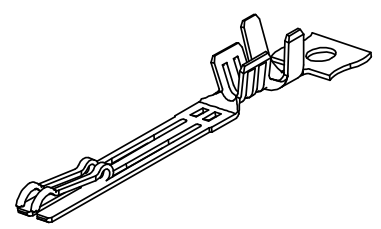
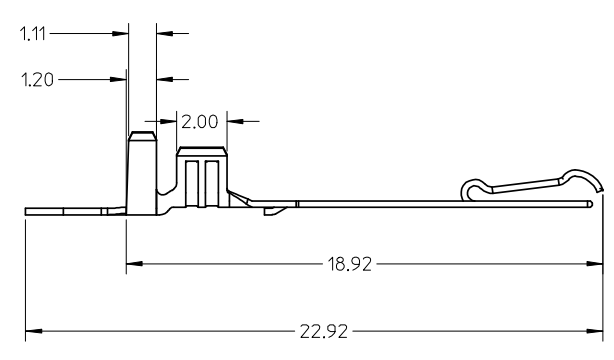
SECTION Z-Z



SECTION Y-Y

NOTES:

1. MATERIAL :  
PHOSPHOR BRONZE, THICKNESS = 0.25mm
2. PLATING :  
CONTACT AREA: (A) GOLD FLASH  
(B) GOLD PLATED 0.76 MICRON,  
(C) GOLD PLATED 0.38 MICRON.  
CRIMPING AREA: TIN PLATED 1.875 MICRON MINIMUM.  
UNDER PLATE: NICKEL PLATED 1.25 MICRON MINIMUM.
3. TO BE USED WITH 47634-2000, 2 SETS TERMINAL PER HOUSING
4. PRODUCT SPECIFICATION REFER TO PS-47634-001.
5. PACKAGE SPECIFICATION REFER TO PK-47634-001.
6. CRIMPING SPECIFICATION REFER TO CS-47634-001
7. RECOMMEND WIRE SIZE: 18/20/22/24 AWG
8. PRODUCT COMPLIANT TO RoHS DIRECTIVE 2002/95/EC AND ELV DIRECTIVE 2000/53/EC.



BEFOR CRIMPING

P/N	CONTACT AREA GOLD PLATING
47634-1000	GOLD FLASH
47634-1001	0.76 MICRON GOLD PLATING
47634-1002	0.38 MICRON GOLD PLATING

NEW RELEASE EC NO: SHZ009-0049 DRWN: XZZHANG CHKD: XJSONG APPR: HWANG	2008/08/07 2008/08/12 2008/08/27	DESCRIPTION A	QUALITY SYMBOLS	GENERAL TOLERANCES (UNLESS SPECIFIED)	DIMENSION STYLE	SCALE	DESIGN UNITS	THIRD ANGLE PROJECTION			
			▼=0 ∇=0	mm    INCH 4 PLACES ± --- ± --- 3 PLACES ± --- ± --- 2 PLACES ± 0.25 ± --- 1 PLACE ± 0.25 ± --- ANGULAR ± 3 °	MM ONLY	1:1	METRIC	DRAWN BY: HZHAO CHECKED BY: JTIAN APPROVED BY: HWWANG DATE: 2007/10/10 DATE: 2007/10/10 DATE: 2007/10/10	TITLE: TERMINAL FOR SATA POWER CABLE RECEPTACLE MOLEX INCORPORATED DOCUMENT NO. SD-47634-001		
			DRAFT WHERE APPLICABLE MUST REMAIN WITHIN DIMENSIONS			SIZE	THIS DRAWING CONTAINS INFORMATION THAT IS PROPRIETARY TO MOLEX INCORPORATED AND SHOULD NOT BE USED WITHOUT WRITTEN PERMISSION				
						A3	SHEET NO. 1 OF 1				